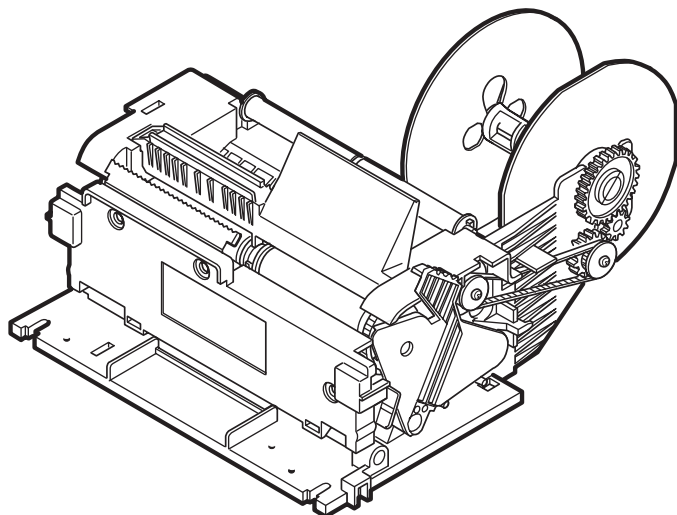


SHARP SERVICE MANUAL

CODE: 00ZPR45MSM/2E



THERMAL PRINTER

MODEL PR-45M

PR-45M : MANUAL CUTTER

CONTENTS

CHAPTER 1. SPECIFICATIONS	1
CHAPTER 2. OUTLINE OF DRIVING CIRCUIT	3
CHAPTER 3. HANDLING THE PRINTER	5
CHAPTER 4. MAINTENANCE	7
CHAPTER 5. TROUBLESHOOTING	8
CHAPTER 6. DISASSEMBLY AND ASSEMBLY	12
CHAPTER 7. PWB LAYOUT	21
PARTS GUIDE (Ki-OB2359BHZZ)	
APPLICATION MODEL (As of Dec.)	
ER-A455X Series, ER-A450/A450S ("V" Version), ER-A450T ("U" and "A" Version)	

This is a “Table of Contents preview” for quality assurance

The full manual can be purchased from our store:

[https://the-checkout-tech.com/manuals/sharp/PR-45M internal printer service manual.htm](https://the-checkout-tech.com/manuals/sharp/PR-45M%20internal%20printer%20service%20manual.htm)

And our free Online Keysheet maker:

<https://the-checkout-tech.com/Cash-Register-Keysheet-Creator/>

[HTTPS://THE-CHECKOUT-TECH.COM](https://THE-CHECKOUT-TECH.COM)